

Style 60 Two-Piece Flush Escutcheon 3/4 Inch NPT

IMPORTANT

Refer to Technical Data Sheet TFP2300 for warnings pertaining to regulatory and health information.

Always refer to Technical Data Sheet TFP700 for the "INSTALLER WARNING" that provides cautions with respect to handling and installation of sprinkler systems and components. Improper handling and installation can permanently damage a sprinkler system or its components and cause the sprinkler to fail to operate in a fire situation or cause it to operate prematurely.

Scan the QR code or enter the URL in a web browser to access the most up-to-date electronic version of this document. Data rates may apply.



docs.jci.com/tycofire/TFP778

General Description

The TYCO Style 60 Two-Piece Flush Escutcheon is used to improve the overall appearance of a sprinkler installation by concealing the clearance holes required for the connecting piping and fittings to the sprinkler. The escutcheon assembly is shown in Figures 1 and 2.

The escutcheon is designed for use with the following TYCO sprinklers where the piping is installed above a ceiling:

- TYCO Series EC-11 and EC-14 Pendent Sprinklers as described in Technical Data Sheet TFP220
- TYCO Series TY-L TY4280 8.0 K-factor Stainless Steel Pendent Sprinklers as described in Technical Data Sheet TFP683.

The separable two-piece design of the Style 60 allows installation of the sprinklers and pressure testing of the fire protection system/evaluation of leak tightness, prior to installation of a suspended ceiling or application of the finish coating to a fixed ceiling. It also permits the removal of suspended ceiling panels, for access to building service equipment, without having to first shut down the fire protection system and remove sprinklers.

NOTICE

The TYCO Style 60 Escutcheon described herein must be installed and maintained in compliance with this document, as well as with the applicable standards of the NATIONAL FIRE PROTECTION ASSOCIATION (NFPA), in addition to the standards of any authorities having jurisdiction, such as FM Global. Failure to do so may impair the performance of these devices.

The owner is responsible for maintaining their fire protection system and devices in proper operating condition. Contact the installing contractor or product manufacturer with any questions.

In all cases, the appropriate NFPA or FM Global installation standard, or



other applicable standard, must be referenced to ensure applicability and to obtain complete installation guidelines. The general guidelines in this data sheet are not intended to provide complete installation criteria.

Technical Data

Approvals

UL Listed for use with Series EC-11 and EC-14 Pendent Sprinklers and Series TY-L TY4280 8.0 K-factor Pendent Sprinkler

Finishes

Chrome, Signal White, or Brass

Material

Carbon Steel

Installation

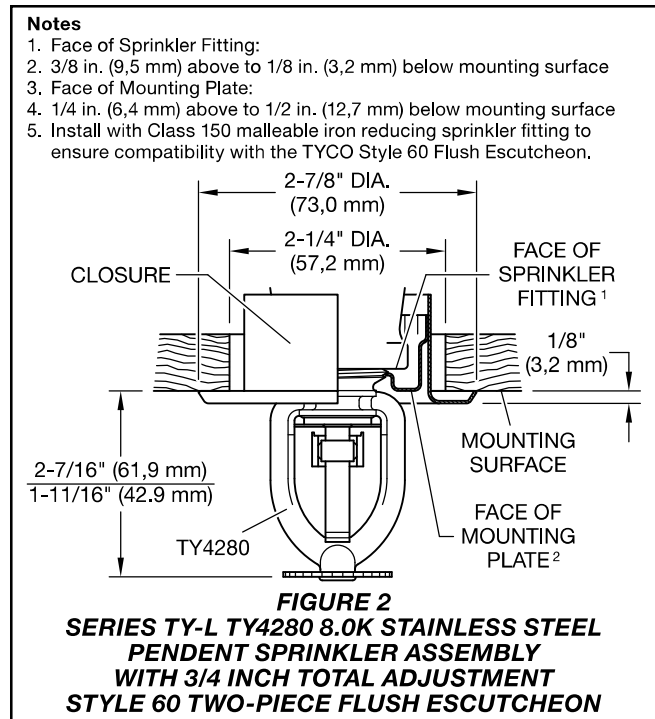
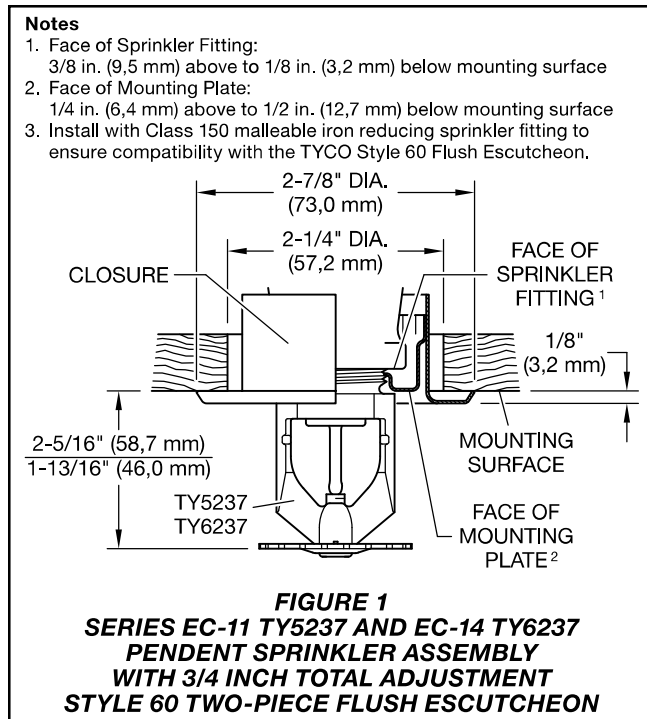
The TYCO Style 60 Two-Piece Flush Escutcheon must be installed in accordance with this section.

General Instructions

A leak tight 3/4 inch NPT sprinkler joint should be obtained with a torque of 10 lb-ft to 20 lb-ft (13,6 N-m to 27,1 N-m). Higher levels of torque may distort the sprinkler orifice seat with consequent leakage.

The face of the sprinkler fitting must be positioned from 3/8 inch (9,5 mm) above, to 1/8 inch (3,2 mm) below, the level of the finished ceiling mounting surface. This ensures that the installed sprinkler escutcheon plate seating surface is located within the nominal range to allow proper installation of the escutcheon closure.

Do not attempt to correct for insufficient installation and adjustment of the escutcheon closure by under- or over-tightening the sprinkler. Readjust the position of the sprinkler fitting to suit.



Installing the Escutcheon

Step 1. Orient the flat face of the escutcheon mounting plate parallel with the open end of the sprinkler threads.

Step 2. Engage the sprinkler threads with the mounting plate threads, and rotate the sprinkler until the mounting plate is flush with the sprinkler frame arms.

Step 3. With thread sealant applied to the sprinkler pipe threads, hand tighten the sprinkler into the sprinkler fitting.

Step 4. Using the appropriate sprinkler wrench, apply the wrench to the designated sprinkler wrenching area, and tighten sprinkler into the sprinkler fitting. Refer to Technical Data Sheet TFP220 or TFP683 as applicable.

Step 5. When the suspended ceiling panel is installed or the finish coat is applied to the fixed ceiling, slide the escutcheon closure over the sprinkler and the mounting plate, pushing until flush against the mounting surface. If installed beneath a suspended ceiling do not push the escutcheon closure beyond the point of contact with the mounting surface and lift ceiling panel above normal position.

Care and Maintenance

The following inspection procedure must be performed as indicated, in addition to any specific requirements of the NATIONAL FIRE PROTECTION ASSOCIATION (NFPA). Any impairments must be immediately corrected.

The owner is responsible for the inspection, testing, and maintenance of their fire protection system and devices in compliance with this document, as well as with the applicable standards of the NFPA such as NFPA 25, in addition to the standards of any authority having jurisdiction. The installing contractor or product manufacturer should be contacted relative to any questions.

It is recommended that automatic sprinkler systems be inspected, tested, and maintained by a qualified Inspection Service in accordance with local requirements and/or national codes.

After placing a fire protection system in service, notify the proper authorities and advise those responsible for monitoring proprietary and/or central station alarms.

Limited Warranty

For warranty terms and conditions, visit www.tyco-fire.com.

Ordering Procedure

Contact your local distributor for availability. When placing an order, indicate the full product name and Part Number (P/N).

Style 60 Two-Piece Flush Escutcheon

Specify: Style 60 Two-Piece Flush Escutcheon with 3/4 NPT, (specify) Finish, P/N (specify):

| | |
|------------------------------|--------|
| Chrome | 208102 |
| Signal White (RAL9003) | 208104 |
| Brass | 208107 |
| Signal White (RAL9003) over | |
| Stainless Steel | 208108 |
| Stainless Steel | 208109 |